

XIS-7858™

PRODUCT HIGHLIGHTS

Artificial Intelligence (AI)

Enhanced Imaging™

Minimal System Profile

Windows® Operating System
with Intel® Core™ Processor

Real-Time Diagnostics



PRODUCT DESCRIPTION

The XIS-7858™ is a compact X-Ray Inspection System (XIS) featuring a small footprint and wide tunnel dimensions, ideal for screening large baggage and parcels at sites with limited space. The XIS-7858™ is equipped with the full range of Astrophysics imaging tools, enabling in-depth analysis of complex, multi-layered bags. The #1 global manufacturer of critical infrastructure products, Astrophysics is the clear choice.

ABOUT ASTROPHYSICS

Since 2002, Astrophysics has led the industry in research and development, creating integrated solutions to advance the critical security missions of our customers and partners. Headquartered outside of Los Angeles, CA in the USA, Astrophysics has over 35,000 systems deployed in more than 150 countries, safeguarding critical infrastructure, aviation, and ports and border sites worldwide.

XIS-7858™

GENERAL SPECIFICATIONS

Tunnel Size:	77.7 cm x 57.9 cm (WxH) 30.6" x 22.8"
Dimensions: ¹ (LxWxH)	229.3 cm x 100.6 cm x 140.0 cm 90.3" x 39.6" x 55.1"
Shipping Dimensions: ¹ (LxWxH)	243.8 cm x 113.0 cm x 160.0 cm 96.0" x 44.5" x 63.0"
Net Weight: ¹	640 kg (1412 lbs)
Shipping Weight: ¹	737 kg (1625 lbs)
Conveyor Speed:	23 cm/s (45 ft/min) Forward or Reverse
Conveyor Height:	69.1 cm (27.2") from Floor
Conveyor Capacity:	165 kg (364 lbs) Evenly Distributed Load

X-RAY GENERATOR & IMAGE PERFORMANCE

Voltage:	180kV, Operating at 165kV
Tube Current:	1.2 mA
Wire Resolution:	40 AWG Typical, 38 AWG Standard
Steel Penetration: ²	39 mm Typical, 37 mm Standard
Cooling:	Sealed Di-Electric Oil Bath with Forced Air
Duty Cycle:	100%, No Warm-Up Procedure Required
Beam Direction:	Diagonally Upward

COMPUTER & VIDEO

Platform:	Windows® 10 OS
Memory:	8 GB RAM
Storage Capacity:	256 GB SSD
Display Type:	Dual 21.5" Flat Panel Monitors
Display Resolution:	1920 x 1080

ENVIRONMENTAL

Operating Temperature:	0°C to 40°C / 32°F to 104°F
Storage Temperature:	-20°C to 60°C / -4°F to 140°F
Humidity:	Up To 95% Non-Condensing

ELECTRICAL

System Power:	110 VAC +/- 10% 50/60Hz, 15 Amp Max 220 VAC +/- 10% 50/60Hz, 10 Amp Max
Power Conditioner:	Automatic Voltage Regulator (AVR), 600VA

HEALTH & SAFETY

Compliant with USFDA Center for Devices and Radiation Health Standards for Cabinet X-Ray Systems (21-CFR 1020.40)
Typical radiation leakage is less than 0.1 mR/hr
(Leakage less than 0.5 mR/hr permitted by U.S. Federal Standards)

ISO 9001 & ISO 14001 CERTIFIED



¹Weight and dimensions of the system may vary depending on customization.

²As tested on Astrophysics Inc. Test Piece.

³Optional Features may affect lead time, price, and weight of product. Please contact your Astrophysics Sales Representative for more information.

Due to continued product development, Astrophysics Inc. reserves the right to amend all technical specifications without prior notice.
Contact sales@astrophysicsinc.com for the most updated brochures.

FEATURES

STANDARD

3 & 6 Color Imaging
Black & White Imaging
Enhanced Imaging™
High Penetration Function
Organic/Inorganic Imaging
Pseudo Color
Reverse Monochrome

Atomic Z-Number Measurement
Geometric Image Distortion Correction
Material Discrimination
Real-Time Image Manipulation

Auto Image Archiving
Image Review
Save Image (RGB)

Baggage Counter

Image Annotation
JPEG Conversion
Print Image Capable

Multi-Tier Accessibility
Network Ready
Real-Time Self Diagnostics

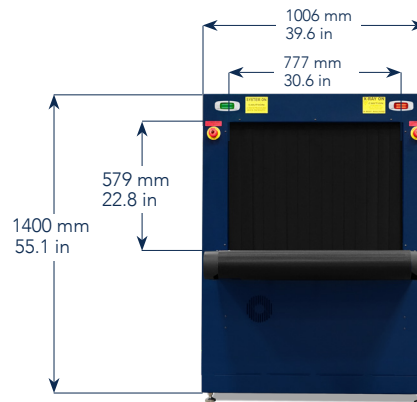
9 Quadrant Zoom
Continuous Scanning
Continuous Zoom Up to 64x
Vertical Zoom Panning

OPTIONAL

Density Alert
Local Language
Safe Passage® Computer Based Training
Screener Assist Software
Test Case
Threat Image Projection (TIP) Software

Dual 24" Flat Panel Monitors
Custom Paint
Entry/Exit Roller Tables
Environmental Kit
Footmat Operator Interlock
Internal/External UPS
Long Conveyor
Roller Bed
Radiation Meter
Remote Workstation Configuration

External USB Ports
Conveyor Capacity Load Increase
Variable Conveyor Speed
8-Color Imaging



CHECKPOINT

DCOH3173 P/N 50-00-PB17-00 Rev. M

Astrophysics HQ
+1.909.598.5488

Astrophysics – EMEA
+961.9.832.500

Astrophysics – INDIA
+91.11.41709990

Astrophysics – ASIA
+63.2.812.0033